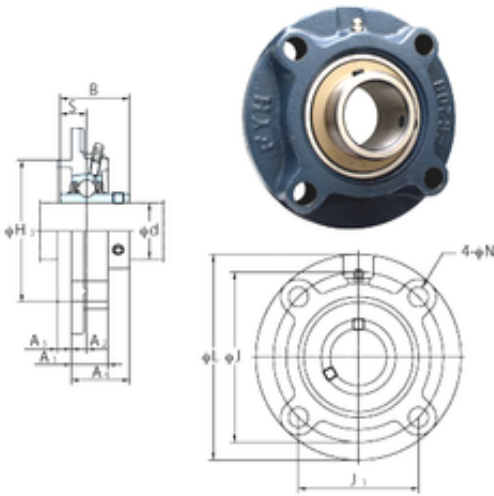




# NTN Bearing Manufacturing of Canada

## FYH UCFC208 bearing units

Bearing No. UCFC208



UCFC208 Bearing 2D drawings and 3D CAD models

Bore Diameter	40 mm
d	40 mm
H3	100 mm
A4	41,2 mm
A1	26 mm
B	49,2 mm
J	120 mm
L	145 mm
N	14 mm
S	19 mm
Bolt (G)	M12
A2	11 mm
A3	10 mm
J1	84,8 mm
Weight	2 Kg
Basic dynamic load rating (C)	29,1 kN
Basic static load rating (C0)	17,8 kN
Category	Mounted Units & Inserts
Inventory	0.0
Manufacturer Name	FYH BEARING UNITS
Minimum Buy Quantity	N/A
Weight / Kilogram	0
Product Group	M06110