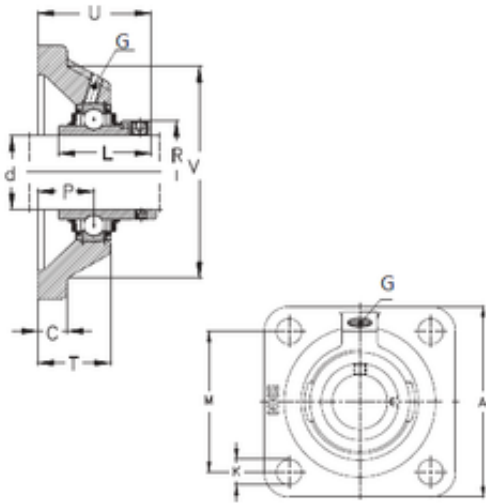




NTN Bearing Manufacturing of Canada



NKE RCJY80 bearing units

Bearing No. RCJY80

Bore Diameter	80 mm
d	80 mm
P	41,3 mm
V	180 mm
U	90,6 mm
K	23 mm
A	197 mm
C	20 mm
L	82,6 mm
M	153 mm
T	55,8 mm
Thread (G)	R1/8 "

RCJY80 Bearing 2D drawings and 3D CAD models