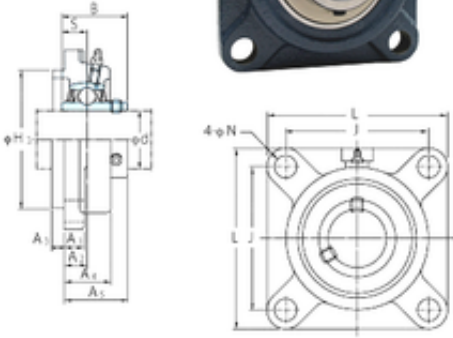




NTN Bearing Manufacturing of Canada

FYH UCFS305 bearing units

Bearing No. UCFS305



UCFS305 Bearing 2D drawings and 3D CAD models

Bore Diameter	25 mm
d	25 mm
H3	80 mm
A4	22 mm
A5	32 mm
A1	13 mm
B	38 mm
J	80 mm
L	110 mm
N	16 mm
S	15 mm
Bolt (G)	M14
A2	9 mm
A3	7 mm
Weight	1,4 Kg
Basic dynamic load rating (C)	21,2 kN
Basic static load rating (C0)	10,9 kN