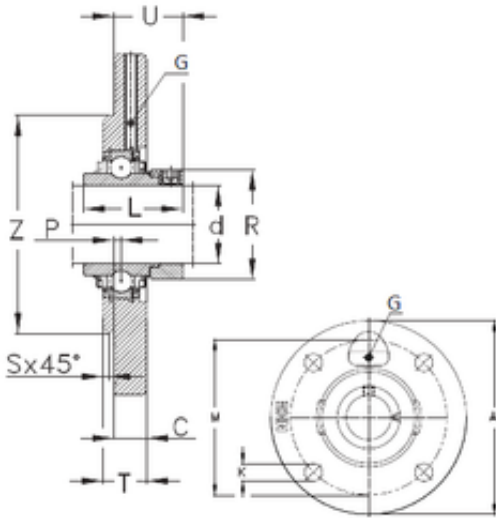




NTN Bearing Manufacturing of Canada



RME0100 Bearing 2D drawings and 3D CAD models

NKE RME0100 bearing units

Bearing No. RME0100

Bore Diameter	100 mm
d	100 mm
P -	1,5
U	68,5 mm
K	26 mm
Z	250 mm
A	340 mm
C	27 mm
L	109,5 mm
M	295 mm
R	145 mm
S	8 mm
T	57 mm
Thread (G)	R1/8 "