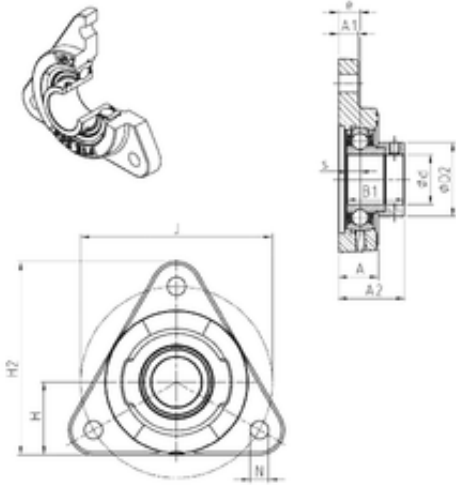




NTN Bearing Manufacturing of Canada



SNR ESFTE206 bearing units

Bearing No. ESFTE206

Bore Diameter	30 mm
d	30 mm
e	13 mm
s	9 mm
A	24 mm
A1	12 mm
B1	35,7 mm
D2	44,5 mm
H	44 mm
H2	117 mm
J	116 mm
N	11 mm
Thread (G)	R1/8"
A2	39,7 mm
Weight	1,1 Kg
Basic dynamic load rating (C)	19,5 kN

ESFTE206 Bearing 2D drawings and 3D CAD models