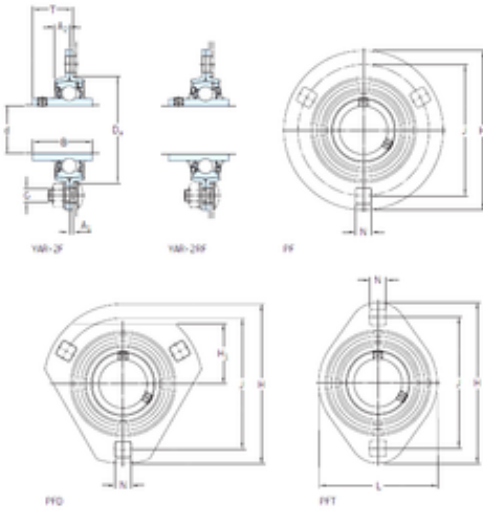




NTN Bearing Manufacturing of Canada



PFT 20 TF Bearing 2D drawings and 3D CAD models

SKF PFT 20 TF bearing units

Bearing No. PFT 20 TF

Bore Diameter	20 mm
Width	31 mm
d	20 mm
Da	55 mm
A1	2 mm
B	31 mm
G	8 mm
H	91 mm
H1	– mm
J	71,5 mm
L	67 mm
N	8,7 mm
T	20,3 mm
A2	8 mm
Weight	0,23 Kg
Basic dynamic load rating (C)	12,7 kN
Basic static load rating (C0)	6,55 kN
Housing material	Pressed steel
D _a min.	51 mm
A ₁	2 mm
A ₂	8 mm
B ₄	4.5 mm
s ₁	18.3 mm
Basic dynamic load rating C	12.7 kN
Basic static load rating C ₀	6.55 kN
Fatigue load limit P _u	0.28 kN



NTN Bearing Manufacturing of Canada

Limiting speed	8500 r/min
Mass bearing unit	0.24 kg
Thread grub screw G ₂	M6x0.75
Hexagonal key size for grub screw N	3 mm
Recommended tightening torque for grub screw	4 N · m
Recommended diameter for attachment bolts, mm G	8 mm
Recommended diameter for attachment bolts, inch G	0.3125 in
Housing	PFT 47
Bearing	YAR 204-2F