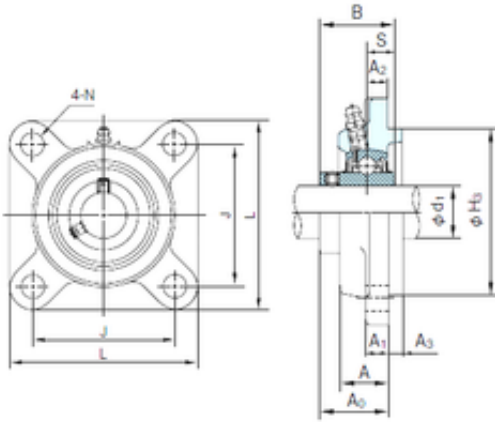




NTN Bearing Manufacturing of Canada

NACHI UCFS306 bearing units

Bearing No. UCFS306



UCFS306 Bearing 2D drawings and 3D CAD models

Bore Diameter	30 mm
d1	30 mm
H3	90 mm
A0	36 mm
A	24 mm
A1	15 mm
B	43 mm
J	95 mm
L	125 mm
N	16 mm
S	17 mm
Bolt (G)	M14
A2	10 mm
A3	8 mm