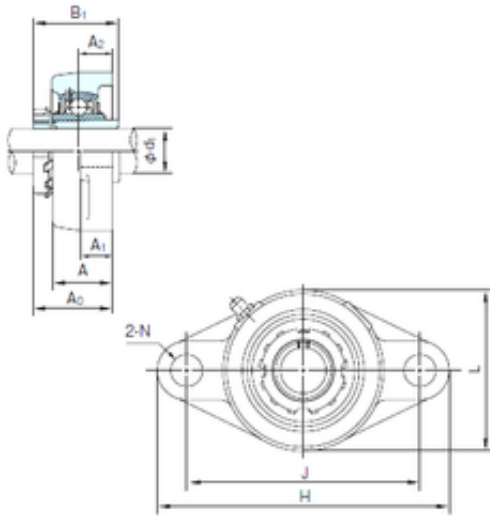




NTN Bearing Manufacturing of Canada



NACHI UKFL319+H2319 bearing units

Bearing No. UKFL319+H2319

Bore Diameter	85 mm
d1	85 mm
A0	111 mm
A	94 mm
A1	40 mm
B1	90 mm
H	405 mm
J	330 mm
L	250 mm
L1	257 mm
N	41 mm
Bolt (G)	M36
A2	59 mm

UKFL319+H2319 Bearing 2D drawings and 3D CAD models