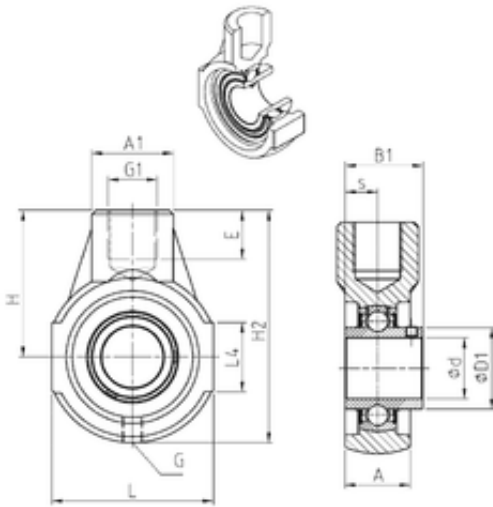




# NTN Bearing Manufacturing of Canada

## SNR UCEHE201 bearing units



UCEHE201 Bearing 2D drawings and 3D CAD models

Bearing No. UCEHE201

Bore Diameter	12 mm
d	12 mm
L4	38 mm
s	12,7 mm
A	25 mm
A1	30 mm
B1	31 mm
D1	29 mm
E	21 mm
G1	M16 mm
H	58 mm
H2	91 mm
L	65 mm
Thread (G)	R1/8"
Weight	0,8 Kg
Basic dynamic load rating (C)	12,8 kN
A2	30 mm
B	31 mm
A5	18.3 mm
G	R1/8"
L1	58 mm
L3	38 mm
s1	15.5 mm
S	12.7 mm
SW	3 mm
C	12.8 kN



## NTN Bearing Manufacturing of Canada

C0	6.65 kN
T min.	-20 ° C
T max.	100 ° C
Recommended tightening torque for set screw	5.5 Nm
Designation of housing	EHE204-
Designation of bearing	UC201G2