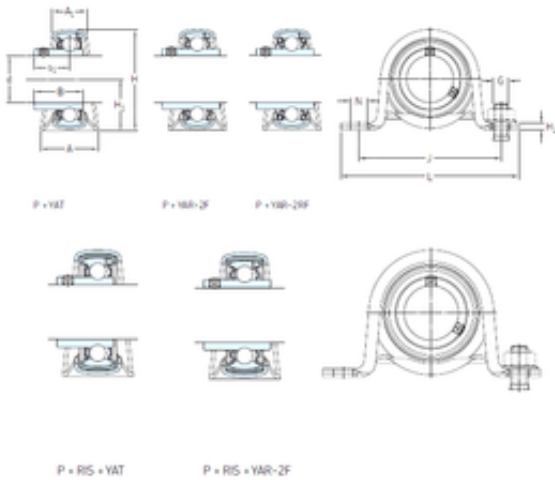




NTN Bearing Manufacturing of Canada



SKF P 45 WF bearing units

Bearing No. P 45 WF

Bore Diameter	45 mm
d	45 mm
s ₁	34,9 mm
A	45 mm
A ₁	31 mm
B ₁	56,3 mm
G	12 mm
H	92 mm
H ₁	46,4 mm
H ₂	6 mm
J	128 mm
L	156 mm
N	14 mm
Weight	1,15 Kg
Basic dynamic load rating (C)	33,2 kN
Basic static load rating (C ₀)	21,6 kN
Housing material	Pressed steel
A ₁	31 mm
B ₁	56.3 mm
H ₁	46.5 mm
H ₂	6 mm
s ₁	34.9 mm
Basic dynamic load rating C	33.2 kN
Basic static load rating C ₀	21.6 kN
Fatigue load limit P _u	0.915 kN
Permissible radial housing	4.2 kN

P 45 WF Bearing 2D drawings and 3D CAD models



NTN Bearing Manufacturing of Canada

load max.	
Limiting speed	4300 r/min
Mass bearing unit	1.15 kg
Thread grub screw G ₂	M10x1
Hexagonal key size for grub screw N	5 mm
Recommended tightening torque for grub screw	16.5 N · m
Recommended diameter for attachment bolts, mm G	12 mm
Recommended diameter for attachment bolts, inch G	0.5 in