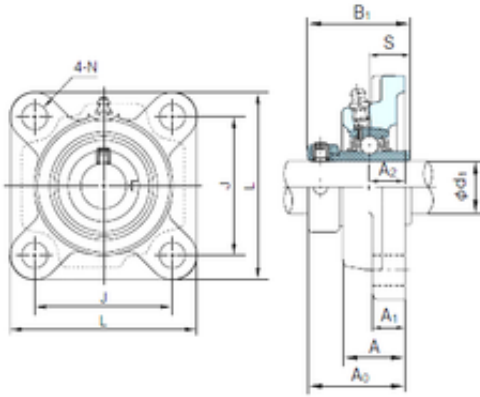




NTN Bearing Manufacturing of Canada

NACHI UGF204 bearing units



Bearing No. UGF204

Bore Diameter	20 mm
d1	20 mm
A0	41.6 mm
A	25.5 mm
A1	12 mm
B1	43.7 mm
J	64 mm
L	86 mm
N	12 mm
S	17.1 mm
Bolt (G)	M10
A2	15 mm

UGF204 Bearing 2D drawings and 3D CAD models