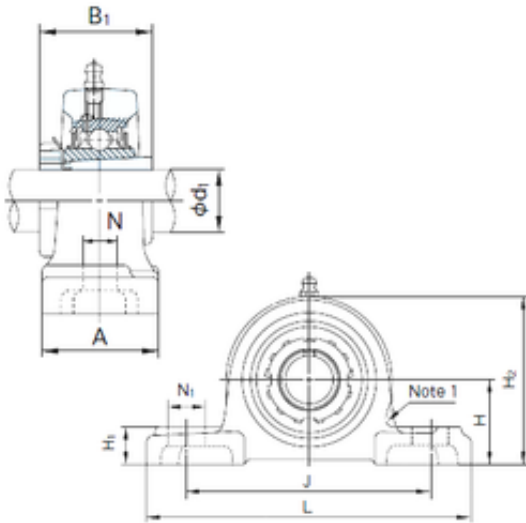




NTN Bearing Manufacturing of Canada

NACHI UKP215+H2315 bearing units

Bearing No. UKP215+H2315



UKP215+H2315 Bearing 2D drawings and 3D CAD models

Bore Diameter	65 mm
Width	82,6 mm
d	65 mm
A	74 mm
B1	73 mm
H	82,6 mm
H1	28 mm
H2	163 mm
J	217 mm
L	275 mm
N	25 mm
N1	31 mm
Bolt (G)	M20