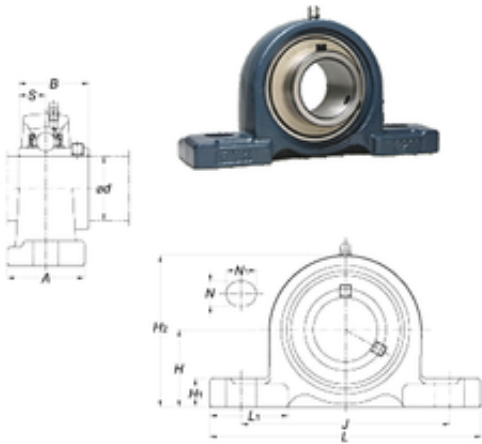




# NTN Bearing Manufacturing of Canada

## FYH UCP204-12 bearing units



Bearing No. UCP204-12

Bore Diameter	19,05 mm
Width	31 mm
d	19,05 mm
A	38 mm
B	31 mm
H	33,3 mm
H1	13 mm
H2	64 mm
J	95 mm
L	127 mm
L1	38 mm
N	13 mm
N1	18 mm
S	12,7 mm
Bolt (G)	M10
Weight	0,66 Kg
Basic dynamic load rating (C)	12,8 kN
Basic static load rating (C0)	6,65 kN

UCP204-12 Bearing 2D drawings and 3D CAD models