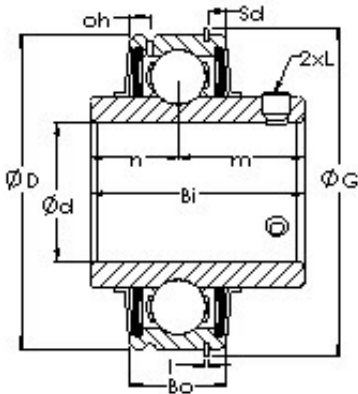




NTN Bearing Manufacturing of Canada



AST ER212 bearing units

Bearing No. ER212

Bore Diameter	60 mm
Outer Diameter	110 mm
Bearing Type	Metric Bore Diameter
Bore Dia (d)	60.0000
Outer Dia (D)	110.0000
Outer Width (Bo)	32.0000
Inner Width (Bi)	65.1000
Dynamic Load Rating (Cr)	52,446
Static Load Rating (Cor)	36,176
Bearing Inner Race Width - Short Side (n)	25.4000
Bearing Inner Race Width - Extended Side (m)	39.7000
Bearing Collar Set Screw (L)	M10 X1.25
Snap Ring Dia. (G)	116.4000
Snap Ring Location (Sd)	3.2000
Snap Ring Thickness (l)	2.4000
Relubrication Hole Location (oh)	7.5000
Shaft Dia., Nominal (d)	60.0000
Weight (g)	1,891.48

ER212 Bearing 2D drawings and 3D CAD models