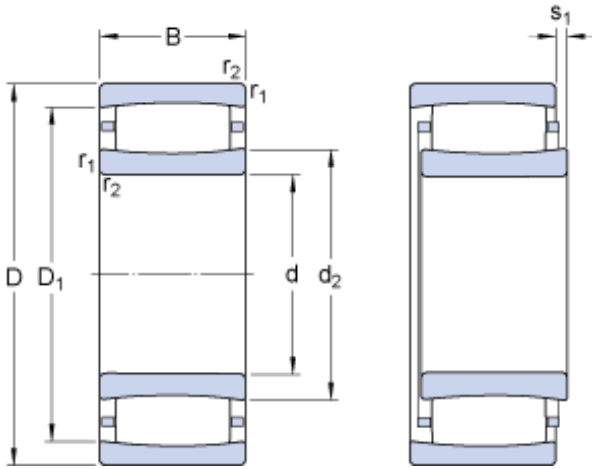




NTN Bearing Manufacturing of Canada



600 mm x 980 mm x 300 mm SKF C 31/600 MB cylindrical roller bearings

Bearing No. C 31/600 MB

C 31/600 MB Bearing 2D drawings and 3D CAD models

Size	980x600x300 mm
Bore Diameter	980 mm
Outer Diameter	600 mm
Width	300 mm
d	600 mm
D	980 mm
B	300 mm
d ₂	705 mm
D ₁	871 mm
s ₁	26.1 mm
r _{1,2} - min.	7.5 mm
d _a - min.	632 mm
d _a - max.	704 mm
D _a - min.	827 mm
D _a - max.	948 mm
C _a - min.	5.1 mm
r _a - max.	6 mm
Basic dynamic load rating - C	10200 kN
Basic static load rating - C ₀	18000 kN
Fatigue load limit - P _u	1140 kN
Reference speed	430 r/min
Limiting speed	600 r/min
Factor - k ₁	
Factor - k ₂	0.107



NTN Bearing Manufacturing of Canada

d_2	705 mm
D_1	871 mm
s_1 max.	26.1 mm
$r_{1,2}$ min.	7.5 mm
d_a min.	632 mm
d_a max.	704 mm
D_a min.	827 mm
D_a max.	948 mm
C_a min.	5.1 mm
r_a max.	6 mm
Basic dynamic load rating C	10200 kN
Basic static load rating C_0	18000 kN
Fatigue load limit P_u	1140 kN
Misalignment factor k_1	0
Operating clearance factor k_2	0.107
Mass bearing	929 kg