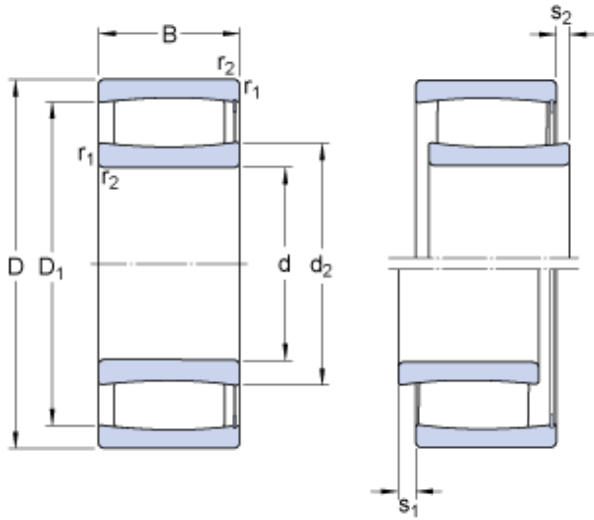




NTN Bearing Manufacturing of Canada



55 mm x 100 mm x 25 mm SKF C 2211 V
cylindrical roller bearings

Bearing No. C 2211 V

C 2211 V Bearing 2D drawings and 3D CAD models

Size	100x55x25 mm
Bore Diameter	100 mm
Outer Diameter	55 mm
Width	25 mm
d	55 mm
D	100 mm
B	25 mm
d ₂	65.8 mm
D ₁	86.7 mm
s ₁	8.6 mm
s ₂	5.4 mm
r _{1,2} - min.	1.5 mm
d _a - min.	64 mm
d _a - max.	80 mm
D _a - max.	91 mm
r _a - max.	1.5 mm
Basic dynamic load rating - C	132 kN
Basic static load rating - C ₀	134 kN
Fatigue load limit - P _u	15.6 kN
Limiting speed	3400 r/min
Factor - k ₁	0.094
Factor - k ₂	0.133
Category	Bearings



NTN Bearing Manufacturing of Canada

Inventory	0.0
Manufacturer Name	SKF
Minimum Buy Quantity	N/A
Weight / Kilogram	0
EAN	7316570045345
Product Group	B04144
d_2	65.8 mm
D_1	86.7 mm
s_1 max.	8.6 mm
s_2 max.	5.4 mm
$r_{1,2}$ min.	1.5 mm
d_a min.	64 mm
d_a max.	80 mm
D_a max.	91 mm
r_a max.	1.5 mm
Basic dynamic load rating C	132 kN
Basic static load rating C_0	134 kN
Fatigue load limit P_u	15.6 kN
Misalignment factor k_1	0.094
Operating clearance factor k_2	0.133
Mass bearing	0.82 kg