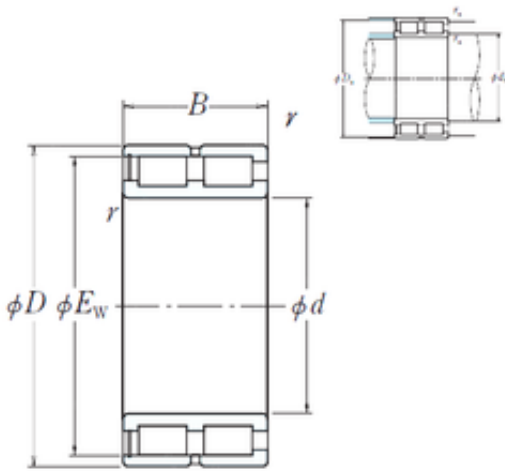




# NTN Bearing Manufacturing of Canada

## 380 mm x 560 mm x 243 mm NSK NNCF5076V cylindrical roller bearings

Bearing No. NNCF5076V



NNCF5076V Bearing 2D drawings and 3D CAD models

Size	380x521.4x243 mm
Bore Diameter	380 mm
Outer Diameter	521,4 mm
Width	243 mm
d	380 mm
D	560 mm
Ew	521,4 mm
B	243 mm
C	243 mm
r min.	5 mm
Da	529 mm
ra max.	4 mm
da	408 mm
Weight	194 Kg
Basic dynamic load rating (C)	4500 kN